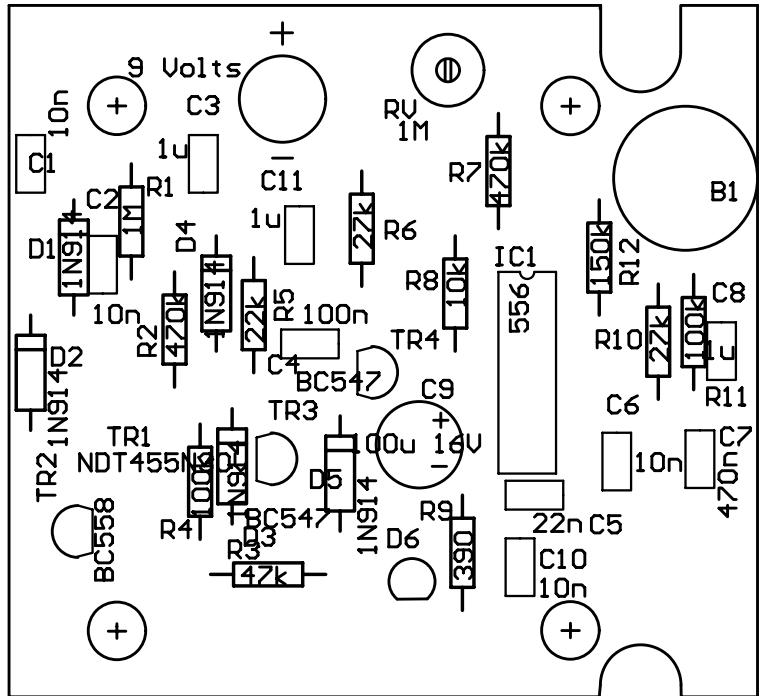


Repeater Over Timer



Drill 3.2 - 4 holes